



With exclusive features for safety and durability, Gardner Bender hand tools offer superior performance on the job.



HAND TOOLS

Circuit Alert™	111-113
Circuit Alert™ Tester	111
Circuit Alert™ Knife	111
Circuit Alert™ Wire Strippers	112
Circuit Alert™ Work Lights	112
Circuit Alert™ Pliers	113
Circuit Alert™ Screwdrivers	113
Cutters	122-123
BX cutter	122
Ratcheting	123
PVC	123
Datcom/ VDV	118-119
Cable strippers	118
Punch-down	119
Crimpers	119
Fuse Puller	124
Knives	111, 124
Pliers	120 -121
Long Nose	120
Linemen's	121
Screwdrivers	123
Wire Strippers	114-117
Multi-tool	116
Cable Rippers	117

CIRCUIT ALERT™

Safe & Convenient

NEW line of tools with Snap-in sensor detects AC voltage without contacting live wires



New Snap-In Sensor



Wire Strippers

Work Lights

Screwdrivers

Pliers

Electrician's Knives

BE SAFE. WORK SMART.

NEW Circuit Alert™ Voltage Sensing Module

The Circuit Alert™ voltage sensing module fits in a whole variety of Circuit Alert™ tools.

- Non-contact AC voltage detection.
- Audio and visual alerts.
- Pocket clip.
- Tri-directional momentary on/off switch.

Part #	Description
CAM-10	Voltage-sensing module

CIRCUIT ALERT™

www.circuitalert.com



CAM-10 Pocket Clip



NEW Circuit Alert™ Voltage Sensing Electrician's Knife

Rip, strip and cut with one tool.

- Durable, heavy-duty casing.
- Designed specifically for electricians.
- Blade type: industry standard.

Part #	Description
RKT-21	Circuit Alert™ Electrician's Knife with stripper & NM cable ripper

For more information, go to www.circuitalert.com



SEE PG 124



FOR MORE INFO ON RKT-6 Electrician's Knife



HAND TOOLS

NEW **Circuit Alert™**
Voltage Sensing Wire Strippers

- Audible and visual alerts indicate the presence of voltage.
- Cuts and strips solid and stranded wire.
- Stainless steel body for maximum corrosion resistance.
- Ergonomic, cushioned handles for ultimate comfort and control.
- Double bevel cutting blades for superior nick resistance.
- Ergonomic, cushioned handles for ultimate comfort and control.
- Double bevel cutting blades for superior nick resistance.
- Dual gripping positions for traditional or forward hand positions.
- Easy-to-read stamped markings.
- Cuts and rethreads bolt sizes 6-32, 8-32 and 10-32.
- Wire looping holes form wire to fit on screw terminals.
- Plier nose for gripping and pulling.
- cULus listed tester.
- Durable, drop resistant construction.

CIRCUIT ALERT™

www.circuitalert.com



GST-55M



GST-70M



GST-224M

**Limited
 Lifetime
 Warranty**

Patents Pending

Part #	Description	Wire Gauge	Length
GST-55M	Circuit Alert™ Voltage Sensing Wire Stripper	#10 - #18 AWG	7"
GST-70M	Circuit Alert™ Voltage Sensing Crimper/Stripper	#8 - #20 AWG & Multi Crimping Stations	7"
GST-224M	Circuit Alert™ Voltage Sensing NM Cable Stripper	12/2 & 14/2 NM Cable	7½"



Wire Stripping



Volt Sensing (50-600 VAC)



Bolt Cutting and Rethreading

NEW **Circuit Alert™** **Work Lights**

Designed for electricians for maximum versatility and hands-free operation in one durable tool.

- Multi-adjustable.
- Rugged design and construction.
- Batteries included.

CIRCUIT ALERT™

www.circuitalert.com



FLT-10



FLT-20

Part #	Description
FLT-10	Circuit Alert™ Voltage Sensing Work Light
FLT-20	Circuit Alert™ Voltage Sensing Work Light



90° Swivel Head



Rotating Hang Hook

For more information, go to www.circuitalert.com

NEW Circuit Alert™ Pliers



Circuit Alert™ pliers combine common electrician's needs with Gardner Bender's over-molded, comfort grip.

- Crimp terminals.
- Cut wire and cable.
- Strip wire.
- Hammer head.
- Forged steel construction for long life.
- Precision hardened cutting blades

www.circuitalert.com



GPT-70



GPT-80



GPT-90

Part #	Description	Size
GPT-70	Circuit Alert™ Voltage Sensing Side Cutters	7"
GPT-80	Circuit Alert™ Voltage Sensing Long Nose Pliers	8"
GPT-90	Circuit Alert™ Voltage Sensing Linesmens	8"



Testing



GPT-80 – Wire Stripping



GPT-90 – Hammer Head

NEW Circuit Alert™ Screwdrivers



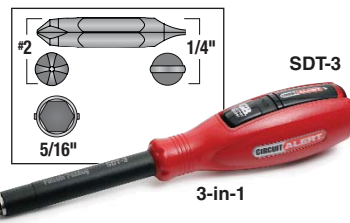
The Circuit Alert™ screwdrivers deliver up to 10-in-1 bits and insulated comfort grip handles.

www.circuitalert.com

- Use with Hex-Lok® connectors.

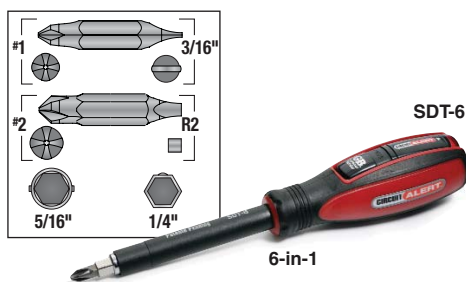
SEE PG 9  FOR MORE INFO ON Hex-Lok® Wire Connector

Part #	Description	Bits
SDT-3	Circuit Alert™ Voltage Sensing Screwdriver 3-in-1	See diagram
SDT-6	Circuit Alert™ Voltage Sensing Screwdriver 6-in-1	See diagram
SDT-10	Circuit Alert™ Voltage Sensing Screwdriver 10-in-1	See diagram



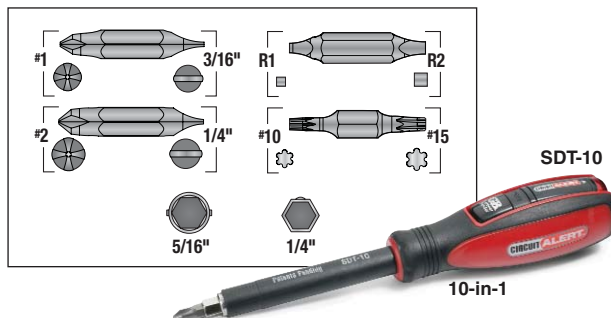
SDT-3

3-in-1



SDT-6

6-in-1



SDT-10

10-in-1

For more information, go to www.circuitalert.com



HAND TOOLS

Wire Strippers

Comparison Chart

Feature	GS-40	GS-355	GS-360	GS-361	GES-55	GES-55	GES-224	GES-224	GST-70M	GST-55M	GST-224M
Voltage Sensing									X	X	X
Spring Action Return	X	X	X	X	X	X	X	X		X	X
Pliers Nose		X	X	X	X	X	X	X	X	X	X
Loop Hole	X	X	X	X	X	X	X	X	X	X	X
Deluxe Cushion Grip				X	X	X	X	X	X	X	X
Locking Handle	X		X								
Wire Stripping Range											
Solid	#10 - #24	#10 - #20	#10 - #20	#16 - #30	#10 - #18	#10 - #18	#12 & #14	#12 & #14	#8 - #20	#10 - #18	#12 & #14
Stranded	#10 - #24	#10 - #20	#10 - #20	#16 - #30	#12 - #20	#12 - #20	—	—	#10 - #22	#12 - #20	—
NM Cable	—	—	—	—	—	—	14/2 & 12/2	14/2 & 12/2	—	—	14/2 & 12/2

ArmorEDGE™ Wire Stripper

Strips and cuts solid and stranded wire.

- Stainless steel body for maximum corrosion resistance.
- Ergonomic, cushioned handles for ultimate comfort and control.
- Double bevel cutting blades for superior nick resistance.
- Dual gripping positions for traditional or forward hand positions.
- Easy-to-read laser-etched markings.
- Cuts and rethreads bolt sizes 6-32, 8-32 and 10-32.
- Wire looping holes form wire to fit on screw terminals.
- Plier nose for gripping and pulling.
- Patents pending.
- Limited Lifetime Warranty.
- GES-70 crimps insulated and non-insulated terminals, crimps coaxial "F" connectors, cuts bolt sizes 4-40, 5-40, 6-32, 8-32, 10-24 and 10-32.



GES-55



GES-55



GES-70

Part #	Description	Handle	Wire Gauge	Length
GES-55	ArmorEDGE™ Wire Stripper	Curved	#10 - #18 AWG	6½"
GES-55	ArmorEDGE™ Wire Stripper	Symmetric	#10 - #18 AWG	6¾"
GES-70	ArmorEDGE™ Multi-Tool Stripper/Crimper	Symmetric	#10 - #22 AWG	8½"
GES-224	ArmorEDGE™ NM Cable Stripper	Curved	12/2 & 14/2 NM Cable	7"
GES-224	ArmorEDGE™ NM Cable Stripper	Symmetric	12/2 & 14/2 NM Cable	7¾"

Limited Lifetime Warranty



12/2 and 14/2 NM Cable Stripper



10-18 AWG Wire Stripper



GES-224



GES-224

Milwaukee Clipper™ Strippers

Strips solid or stranded wire.

- Compact tool adjusts quickly to any of eight wire sizes.
- Hardened spring steel provides strength and durability.
- Looping hole bends and loops wire for termination on screws.
- Vinyl grips for added comfort.
- GS-40 includes spring return for easy handling.

Part #	Description	Wire Gauge	Length
GS-40	Milwaukee Clipper™ Stripper w/spring	#10 - #24 AWG	5"



Wire Strippers

Strips solid or stranded wire.

- Precision stripping stations.
- Laser-etched markings.
- Pliers nose and curved cutting blade aid in pulling and cutting wire.
- Power spring return reduces hand fatigue.
- Curved handles for added comfort.
- Looping hole forms wire to fit on screw terminal.
- Comfortable high-leverage handles.

Part #	Description	Wire Gauge	Length
GS-355	Stripper	#10 - #20 AWG	6¼"
GS-360	Stripper with lock	#10 - #20 AWG	6"
GS-361	Small Gauge Stripper	#16 - #30 AWG	6¼"



GS-355



GS-360



GS-361

Strip-Easy™ Stripper

Strips solid or stranded wire.

- Strips wires clean with one easy squeeze, up to a full 7/8".
- Blades cut insulation without nicking conductor. Jaws open automatically to remove wire without crushing ends.
- AWG size clearly marked at each cutting hole.
- Comfortable no-slip handles.

Part #	Description	Wire Gauge	Length
SE-92	Automatic Wire Stripper	#8 - #22 AWG	8"



Automatic Stripper & Crimper

Strips solid or stranded wire.

- Automatic jaw-loaded wire stripper self-adjusts.
- Crimps insulated, and non-insulated terminals.
- Comfort high-leverage handles.

Part #	Description	Wire Gauge	Length
GS-394	Automatic Wire Stripper	#10 - #26 AWG	8"



Multi-Tools

Comparison Chart

Feature	GS-365	GS-370	GESP-70
Spring Action Return	X		
Pliers Nose	X	X	X
Conduit Reamer Nose	X		
Loop Hole	X	X	X
Deluxe Cushion Grip	X	X	X
Locking Handle	X		
Cutter Blade	X	X	X
Cuts & Rethreads Bolts	X	X	X
Crimps Insulated Terminals	X	X	X
Crimps Non-insulated Terminals	X	X	X
Copper & Steel Crimp Sleeves	X	X	X
Coaxial Connectors	X	X	X
Wire Stripping Range	#6 - #16	#10 - #22	#10 - #22



Multi-Tool Stripper, Cutter & Crimper

Strips and cuts wire.

- Strips copper and aluminum wire, solid or stranded.
- Cuts and rethreads bolt sizes 4-40, 5-40, 6-32, 8-32, 10-24 and 10-32.
- Pliers nose for pulling and looping wire.
- Crimps insulated & non-insulated terminals.
- Crimps coaxial "F" connectors.
- Curved cutting blade.
- Comfort high-leverage handles.
- Precision ground-stripping stations prevent nicking conductor while stripping.



Part #	Description	Wire Gauge	Length
GS-370	Multi-Tool	#10 - #22 AWG	8½"

Multi-Tool Stripper, Cutter & Crimper

Strips #6 - #16 AWG solid, #8 - #18 AWG stranded.

- Strips copper and aluminum wire, solid or stranded.
- Cuts and rethreads bolt sizes 4-40, 5-40, 6-32, 8-32,
- Crimps #310, 311, 410 and 411 crimp sleeves, solderless terminals and coaxial connectors.
- Pliers nose for pulling and looping wire.
- Snub nose for reaming ½" and 1" conduit.
- Precision ground-stripping stations prevent nicking conductor while stripping.
- Lock for compact storage.



Part #	Description	Wire Gauge	Length
GS-365	Multi-Tool Stripper and Cutter	#6 - #16 AWG, Solid #8 - #18 AWG, Stranded	8½"

Multi-Tool Cable Strippers

Strips, crimps and cuts bolts.

- Crimps terminals.
- Strips 10-22 AWG wire.



Part #	Description	Wire Gauge	Length
GS-366	Multi-tool crimper & stripper	#10 - #22 AWG	9¼"

Romex® Strippers

Comparison Chart

Feature	CR-100	CRC-100	CR-1000	GRX-3224
Spring-Action Return				X
Pliers Nose				X
Loop Hole				X
Wire Stripper			X	X
Locking Handle				X
Cutter Blade			X	X
Cuts & Rethreads Bolts				X
Cable Ripping Range	12/2 & 14/2 NM cable	12/2 & 14/2 NM cable	10/2 & 14/2 NM Cable	12/2 & 14/2 NM cable



* See ArmorEDGE and Circuit Alert sections for additional Romex / NM cable strippers.

Dual Romex® Stripper

Strips outer sheath of #12/2 or #14/2 cable in one tool.

- Strips single conductor #12 or #14 AWG.
- Power spring return reduces hand fatigue.
- Curved cutting blade.
- Pliers nose.
- Wire looping hole.
- Cuts and rethreads bolt sizes 6-32 and 8-32.
- Locking handle for compact storage.



Part #	Description	Wire Gauge	Length
GRX-3224	NM Cable Stripper	12/2 & 14/2 NM Cable and #12 AWG and #14 AWG single conductor	7 ⁵ / ₈ "

Cable Ripper

Slits outer covering of Romex® (all sizes, both old and new) and other non-metallic (type NM) sheathed cable.

- Wire gauge on handle checks and strips #6 to #14 AWG.
- Nickel-plated finish resists corrosion.

Part #	Description	Wire Gauge	Length
CR-100	Cable Ripper	12/2 & 14/2 NM Cable	4"
CRC-100	Curved Cable Ripper	12/2 & 14/2 NM Cable	4"
CR-1000	Premium Cable Ripper	12/2 & 14/2 NM Cable	4"



CR-100



CRC-100



CR-1000



1. Rip open cable jacket 2. Cut off cable jacket 3. Strip wire ends

Romex® is a registered trademark of Southwire Company, Carrollton, GA

Datacom Strippers

Comparison Chart

Feature	GTPS-100	GS-359	SE-98	GTPS-200
Strips RG-58		X	X	
Strips RG-59		X	X	
Strips RG-6		X	X	
Strips CAT 3 Cable	X			X
Strips CAT 5 Cable	X			X
Strips Flat Telephone Wire				X
Cutter Blade to Cut Cable		X		X

UTP/STP Cable Stripper

Strips UTP and STP cable up to .24" (6.2mm) diameter.

- Tension release lever for easy positioning and release of cable.
- Compact design for easy handling.
- For use on CAT 3 and CAT 5 cable.

Part #	Description	Wire Gauge	Length
GTPS-100	UTP/STP Round Cable Stripper	UTP/STP	3¼"
GTPS-200	Premium Cable Stripper	UTP, STP, flat, round from ¼" to ¾" in diameter and silver satin and other flat cables	4½"



GTPS-100



GTPS-200

EXCLUSIVE! Coaxial Stripper

Cuts and strips RG-59 and RG-6 coaxial cable.

- Can be used with both standard and quad shield cable.
- Multiple size stripping stations strip both the outer jacket and inner conductor.
- Exclusive hex-shaped slot helps push "F" connectors onto cable.
- Curved cutting blade.
- Patented.



Part #	Description	Wire Gauge	Length
GS-359	Coaxial Stripper	RG-59 & RG-6	6¼"

Coaxial Cutter & Stripper

Cuts and strips coaxial cable (RG-58, RG-59 and RG-6).

- Easily adjusts to various cable thickness.
- One-squeeze cutting action.
- Includes replacement blade model #SERB-25.



Part #	Description	Wire Gauge	Length
SE-98	Coaxial Cable Cutter & Stripper	RG-58, RG-59 & RG-6	4¾"

Punch-Down Tools

High-impact design assures good quality terminations.

- Inserts and cuts cable in termination blocks.
- Constructed of durable ABS resin.
- Impact adjustment with high/low setting accommodates multiple applications.
- Extra blade can be stored in handle.
- Spring-loaded design quickly and easily inserts and trims terminations.
- 110-style blade used in CAT 3 and CAT 5 termination.
- 66-style blade used to terminate phone wiring.



PDT-110



PDT-110LC



Part #	Description	Network	Length
PDT-110	Type-110 Terminal Punch-Down Tool with Blade	Data	7½"
PDT-110LC	Non-Impact Punch-Down Tool	Data	5¾"

Replacement Blades:

Part #	Description
PDB-66	Type-66 Replacement Blade
PDB-110	Type-110 Replacement Blade



PDB-66



PDB-110

Wire Stripper & Punchdown Tool

Cuts, strips & terminates.

- Strips: RG6, CAT3, CAT5, UTP, STP flat and round, speaker wire, flat telephone wire.
- Type 110/66 terminal punchdown.



Part #	Description	Network	Length
SPD-10L	Ergo datacom combination tool	Data	7"

RJ45 /RJ11 Modular Plug Crimp Tool

Used to produce patch cable and handset cables, cut, strip and crimp.

- Heat-treated steel frame provides strength and durability.
- Replacement cutting blade extends the life of the tool.
- Slip-resistant handles.



GMC-1145



GMC-2000

Part #	Description	Plugs	Pins
GMC-1145	Telephone Crimp Tool, RJ-11/12 and RJ-45	RJ-11, RJ-12 RJ-45	2, 4, 6 8
GMC-2000L1	Module Crimp Tool Kit	RJ-11, RJ-45	2, 4, 8

Long Nose Pliers

Long Nose Pliers

Multi-function pliers – cuts, strips and crimps.

- Use needle nose to form wire or grip small parts.
- Strips #14 - #16 AWG solid or stranded wire.
- Crimps insulated terminals up to #10 AWG.
- Cutting blade cuts solid or stranded wire.



Part #	Description	Length
GS-385	Long Nose w/ Cutter and Crimper	6 1/2"

Long Nose Pliers with Side Cutter

Long nose design for forming and looping wire and handling small parts.

- Forged from high-carbon steel for durability and strength.
- Knurling on jaws grips work tightly.
- Cutting edges are heat treated to hold their edge.
- Comfort-grip handles.



Part #	Description	Length
GPS-3238	Long Nose Pliers	8 1/2"

Cutting Pliers

Cutting Pliers, Box Joint

Tapered nose allows cutting in tight locations.

- Dual cutting edge and high-leverage handle design for optimal gripping and cutting performance.
- Precision-machined and induction-hardened knives strengthen cutters and provide consistent performance when cutting aluminum, copper and medium-hard steel wire.
- Comfort-grip handles.



Part #	Description	Length
GPS-3220	Cutting Pliers, Box Joint	8"
GS-386	Diagonal Cutting Pliers	6 3/4"



Cutting Pliers, Curved Diagonal

Angled head allows cutting in tight locations.

- Dual cutting edges and high-leverage handle design for optimal gripping and cutting performance.
- Precision-machined and induction-hardened knives strengthen cutters and provide consistent performance when cutting aluminum, copper and medium-hard steel wire.
- Flared handles for added comfort.



Part #	Description	Length
GPS-3228	Cutting Pliers, Curved Diagonal	8"

Linemen's Pliers

Linemen's Pliers

Medium-duty side-cutting pliers.

- Cuts copper or aluminum wire.
- Serrated, square tip jaw for extra grip on bolts.
- Hardened-steel construction for long life.
- Comfort-grip handles.



Part #	Description	Length
GS-387	Linemen's Pliers	7½"

Linemen's Pliers with Fish Tape Puller

Built-in groove designed for gripping and pulling flat fish tape.

- Forged from high-carbon steel for durability and strength.
- Precision-machined and induction-hardened knives strengthen cutters and provide consistent performance when cutting aluminum, copper and medium-hard steel wire.
- Comfort-grip handles.



Built-in groove designed for gripping and pulling flat fish tape

Part #	Description	Length
GPS-3214	Linemen's Pliers w/ Fish Tape Puller	9½"



Linemen's Pliers, Round Nose

Standard pliers cut aluminum, copper and medium-hard steel wire.

- Forged from high-carbon steel for durability and strength.
- Dual cutting edges and high-leverage handle design for optimal gripping and cutting performance.
- Precision-machined and induction-hardened knives strengthen cutters and provide consistent performance.
- Comfort-grip handles.



Part #	Description	Length
GPS-3219	Linemen's Pliers, Round Nose	9¼"

Linemen's Pliers with Cutter & Crimper

High-leverage tool with crimping die and side cutters.

- Comfort-grip handles.



Part #	Description	Length
GCP-3400	Linemen's Pliers and Crimping Tool	9½"

Crimping Pliers

8" Crimping Pliers

Crimp insulated or non-insulated terminals.

- Cuts copper and aluminum wire.
- Tapered nose for cutting in tight locations.



Part #	Description	Length
GS-388	Crimping Pliers	8"

BX & Flexible Cable Cutter

Cuts BX, MC, AC, and liquid tight 3/8".

- High durability blade provides 2X normal wear characteristics.
- Includes storage space for replacement blades.
- Pivot shaft is reinforced with high strength steel sleeve.
- 25 foot drop test.
- Thumbwheel for easy blade change, no tooling required.
- Patented quick-clamp feature automatically adjusts to cable size and secures it for splitting.
- Automatic release ejects cable.
- Cutting depth adjustment ensures clean cuts without nicking cable.



Extra blade storage



Part #	Description	Length
GBX-300	BX Armor Cutter	7 1/4"

Replacement Parts:

Part #	Description	Pk
GBRX-301	Replacement Blade	3pk

Cable Cutter

Cable-cutting tool designed to cut cleanly with high-leverage one-hand operation.

- Cuts soft copper & aluminum cable.



Part #	Description	Cut Size	Length
GC-375	Cable Cutter	2/0	8"

High-Leverage Cutters

Cuts soft copper and aluminum cable up to 1000 MCM.

- Heat-treated alloy steel jaws make fast, sharp cuts.
- Lightweight fiberglass handles on GC-500 and GC-1000 feature comfortable rubber grips.



Part #	Description	Cut Size	Length
GC-500	Cable Cutter	500 MCM max	24"
GC-1000	Cable Cutter	1000 MCM max	33"

Ratcheting Cable Cutter

Cut copper and aluminum cable up to 750 MCM.

- Ratcheting mechanism for increased leverage.
- Variable-force cutting action permits choice between high force and speed.
- Dual-action handles cut from either direction; easy to use in tight spots.
- Hardened alloy-steel blades are easily sharpened without removing them from tool.
- Rubber hand grips permit firm grip control.



Part #	Description	Jaw Opening	Length
GRC-750	Ratcheting Cable Cutter	1 ⁹ / ₁₆ "	15 ³ / ₄ "

Cut-A-Way™ PVC Conduit Cutter

Cuts flexible, watertight flexible and schedule 40 PVC conduit 1/2" to 2".

- Patented design makes fast, clean cuts.
- Tough, lightweight nylon handles.
- Compact 8" tool fits neatly and safely into pocket or tool pouch.



GPC-200



GKC-100A

Part #	Description	Length
GPC-200	Cut-A-Way™ PVC Cutter (2")	17"
GKC-100A	Cut-A-Way™ PVC Cutter (1")	8"

Insulated Screwdriver Set

Part #	Description	Length	Set Contains:	
			Qty	Description
SCE-3262	Insulated Screwdriver Set, 2 pc.	8"	1	No. 2 Phillips® tip
			1	3/16" Slotted tip



Reversible Insulated Screwdriver

Reversible tip combines two tools into one.

- Molded shaft insulation tested to 1000 V provides secondary protection against accidental electrical shock.
- Ergonomic grip is engineered for maximum torque with minimum effort.



Part #	Description	Reverse from	Reverses to
SCE-3260	Insulated Screwdriver, Reversible tip	No. 2 Phillips®	3/16" Slotted

Triple Tap

Three-in-one tapping tool designed for electrical work.

- Cleans and rethreads holes.
- Made of top-grade steel.

Tap Sizes
 6-32 8-32 10-24



Part #	Description	Length
TT-10B	3 Size Tapping Tool	6 ⁷ / ₈ "

Fuse Pullers

Part #	Description	Fuse Size	Length
FPE-20	Fuse Puller	0-200A/250V and 0-100A/600V	8"



Electrician's Knife

Rip, strip, and cut with one tool.

- Reversible blade for longer life.
- Quick blade change.
- Wire stripper.
- NM cable ripper.
- Storage area in handle for spare blades.
- Includes three replacement blades.



Part #	Description
RK-6	Electrician's Knife, 6"



Cable Ripper



Wire Stripper

Electrician's Knife

Two-in-one tool has sharpened blade for skinning wire and screwdriver tip for screws.

- Tempered carbon-steel blades sharpen easily and hold their edge.
- Compact 3³/₄" size.

Part #	Description
KF-200	Two-in-one Electrician's Knife

